

**APPLICATION DATA SHEET**

COMPANY \_\_\_\_\_ PHONE \_\_\_\_\_

ADDRESS \_\_\_\_\_

CITY \_\_\_\_\_ STATE \_\_\_\_\_ ZIP \_\_\_\_\_

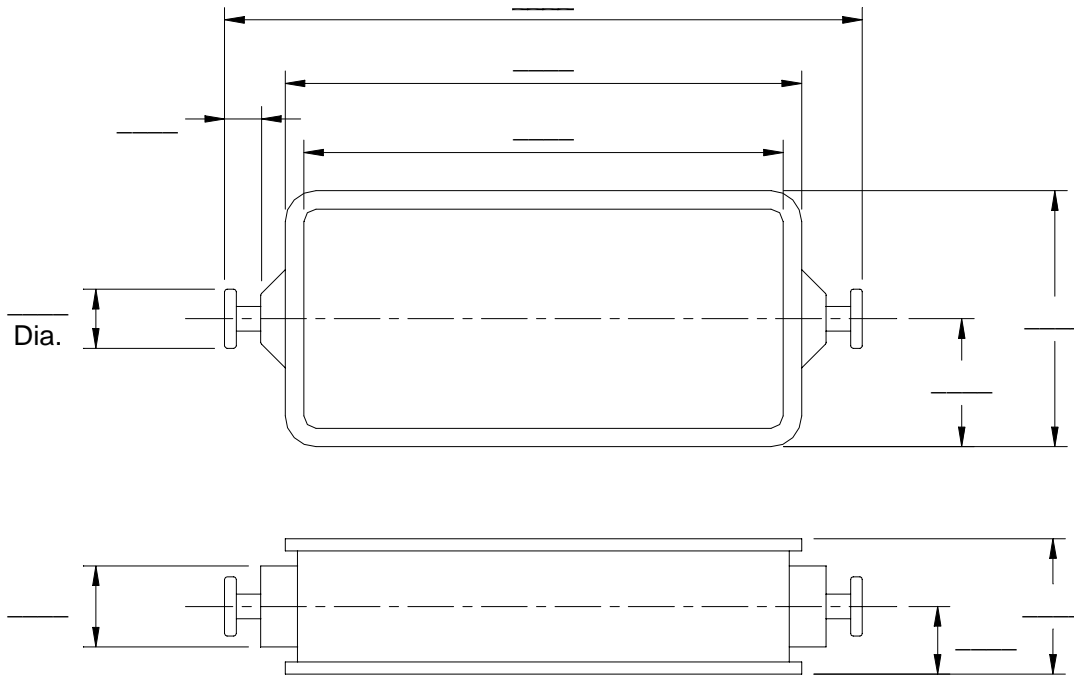
TYPE OF ROLLOVER       FLASK       FLASKLESS       FREE-STANDING

TOTAL WEIGHT TO BE HANDLED \_\_\_\_\_

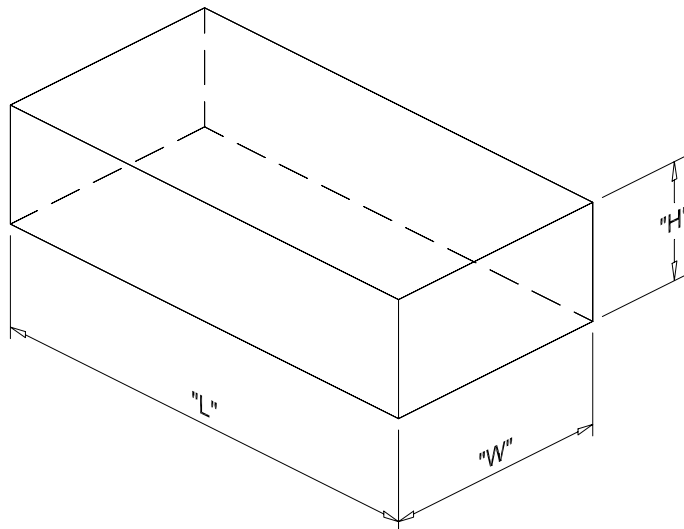
ELECTRICAL POWER AVAILABLE \_\_\_\_\_ VOLTS \_\_\_\_\_ PHASE \_\_\_\_\_ CYCLE

TYPE OF HOIST \_\_\_\_\_ CRANE \_\_\_\_\_

**Flask Dimensions**



**No-Bake Mold Dimensions**



**Maximum Required**

L \_\_\_\_\_

W \_\_\_\_\_

H \_\_\_\_\_

**Minimum Required**

L \_\_\_\_\_

W \_\_\_\_\_

H \_\_\_\_\_